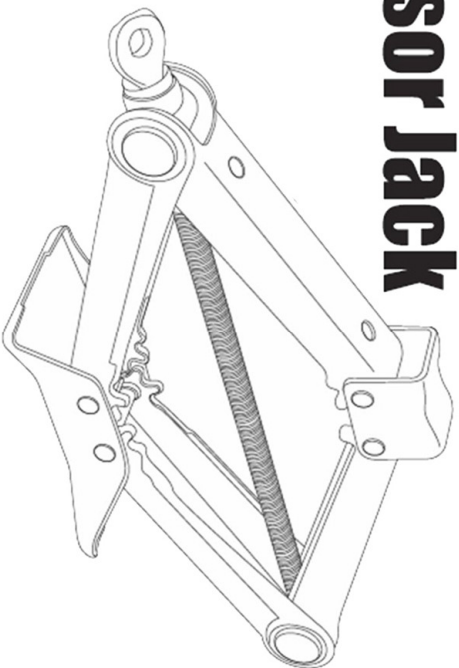




Scissor Jack



CAPACITY: 1500 kgs
LIFT RANGE: 95mm - 390mm

WARNING :
Read this Owner's Manual before using this jack. Follow all Safety Rules and Operating Instructions.

- Safety
- Operation
- Maintenance

SAFETY INSTRUCTIONS

WARNING !
Read, study and understand all warnings and operating instructions prior to use. This jack is intended for emergency tire changing ONLY. DO NOT overload this jack beyond the rated capacity. Overloading can cause the jack to collapse and drop the load. NEVER get under the vehicle when it is supported only by this scissor jack. DO NOT attempt to move the vehicle while the jack is under it. ONLY use this jack on a hard level surface capable of sustaining the load being lifted. ONLY lift the vehicle until one wheel is clear of the ground. ONLY lift the vehicle at locations designated by the vehicle's owner manual. Failure to heed these warnings may result in personal injury and/or property damage.

MAINTENANCE

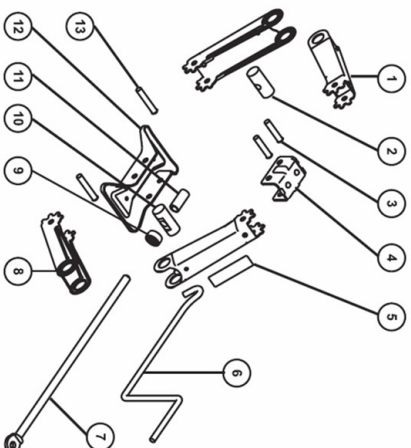
1. Keep your jack clean and well wiped down.
2. Keep the threads of the screw rod well oiled and free of rust to avoid the jack binding during operation.
3. When not in use, store the jack in the fully collapsed position.

OPERATION

- Operation**
Before changing the tire:
1. Park on a level surface.
 2. Turn on the vehicle's hazard warning flashers.
 3. Make sure the engine is Off.
 4. Shift automatic transmission to "Park" or manual transmission to "Reverse".
 5. Set parking brake.
 6. Block the remaining tires with appropriate chocks.
- To raise the vehicle:**
1. Insert the jack handle into the hole on the end of the screw rod in the jack base.
 2. Position the jack under the correct location, as directed by the vehicle's owner manual.
 3. Turn the jack handle clockwise to raise the jack.
 4. Raise the vehicle until the tire is off the ground.

- To lower the vehicle:**
1. Turn the jack handle counter-clockwise to lower.
 2. Lower the jack completely.
 3. Tighten wheel nuts.
 4. Remove wheel chocks from the blocked tires.
 5. Securely store the tire and all lifting equipment.

PARTS LIST



Item No.	Description	Qty
1	Upper Support Arm	2
2	Shaft	1
3	Pin	2
4	Saddle	1
5	Brand	1
6	Handle	1
7	Screw Rod	1
8	Lower Support Arm	2
9	Axletree	1
10	Block	1
11	Spacer	1
12	Base	1
13	Pin	2

DECLARATION OF CONFORMITY



The following Directives are covered by this declaration:-
2006/42/EC - Machinery Directive
EN1494/A1:2008

1 ST SCISSOR JACK 53039



The product covered is identified as:-
Manufacturers model No. T10152 SKU Applied 53039
The documentation required to demonstrate the above are available for inspection.
The CE & TUV GS marks were applied in 2010.

