

RHYAS
THE PRODUCTS OF CHOICE



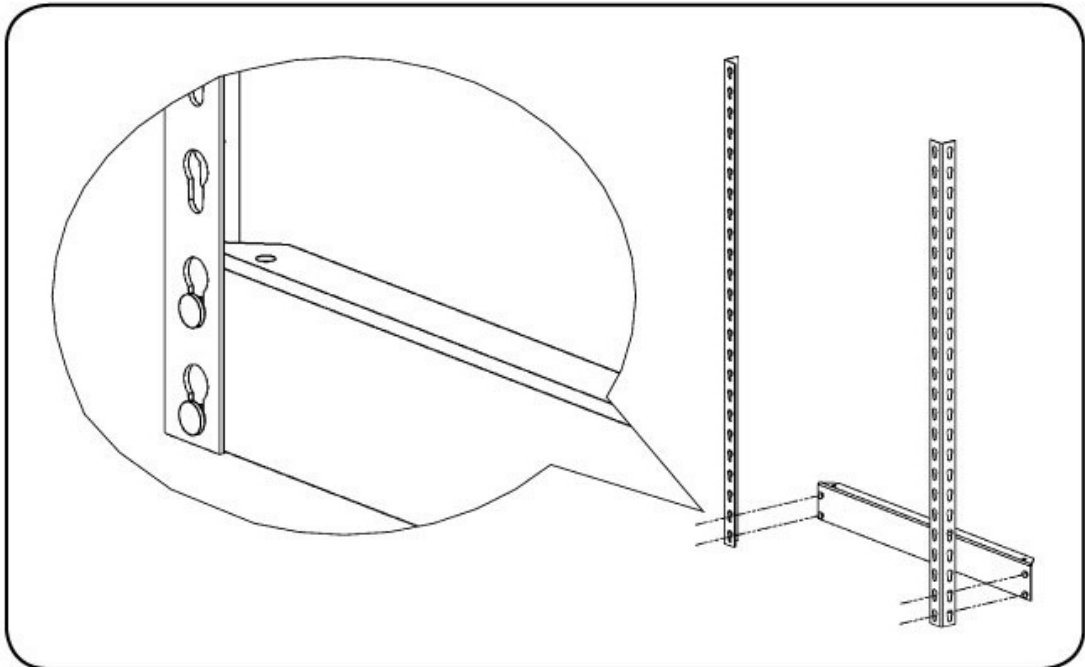
Rhyas 6ft 5 Teir Shelf Unit

WORKBENCH ASSEMBLY

5Tier Unit Only

Step 1

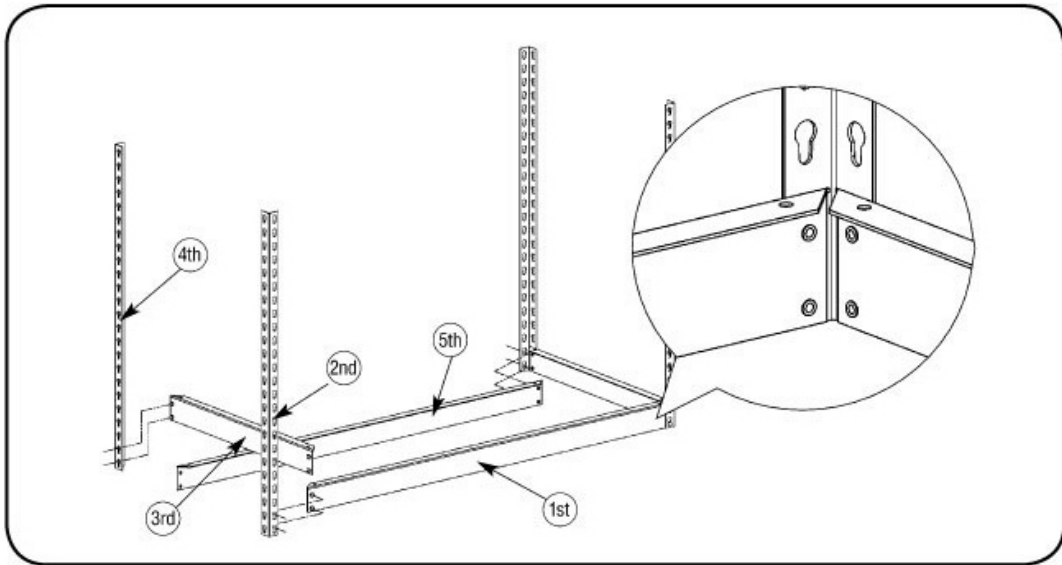
Start bottom of frame assembly by joining a Short Double Rivet Beam (Item 3) into the two bottom keyholes of a Corner Post (Item 1). Be sure that the flange is facing up, then drive the rivets into the bottom of the key hole by hitting the beam with a rubber mallet. **Tip:** Hit the beam close to joints, locking the pieces together. Repeat this action with the second Corner Post (Item 1), now creating one bottom end section.



Step 2

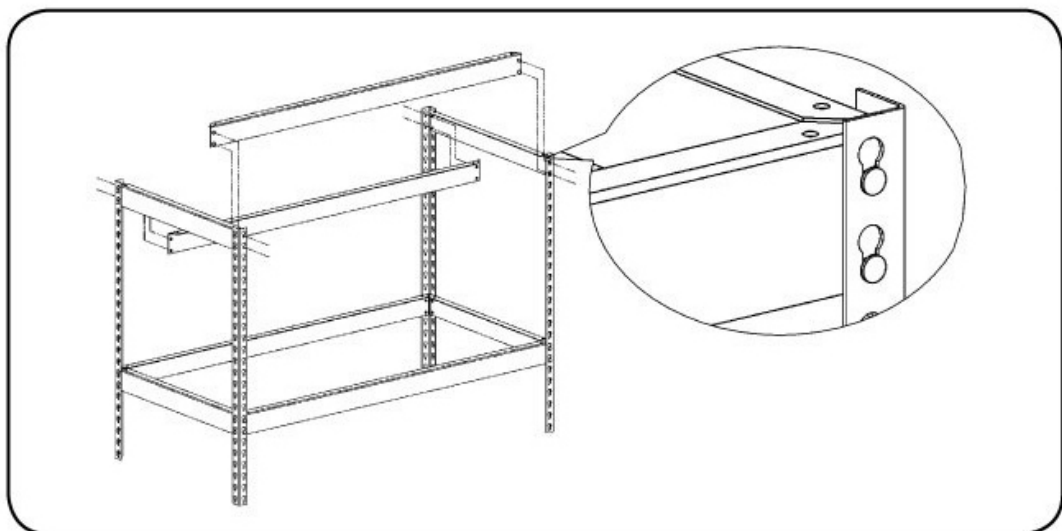
Assemble a Long Double Rivet Beam (Item 2) to the bottom key holes of the bottom end section (refer to detail). Hit the beam near the joints with a rubber mallet to lock pieces together. Add the Corner Post (Item 1) and a Short Double Rivet Beam (Item 3). All beam flanges must be up. **Follow the instructions 1 to 5 shown in the drawing to facilitate the assembly.**

Note: Hit the beams near the joints to lock the pieces into place.



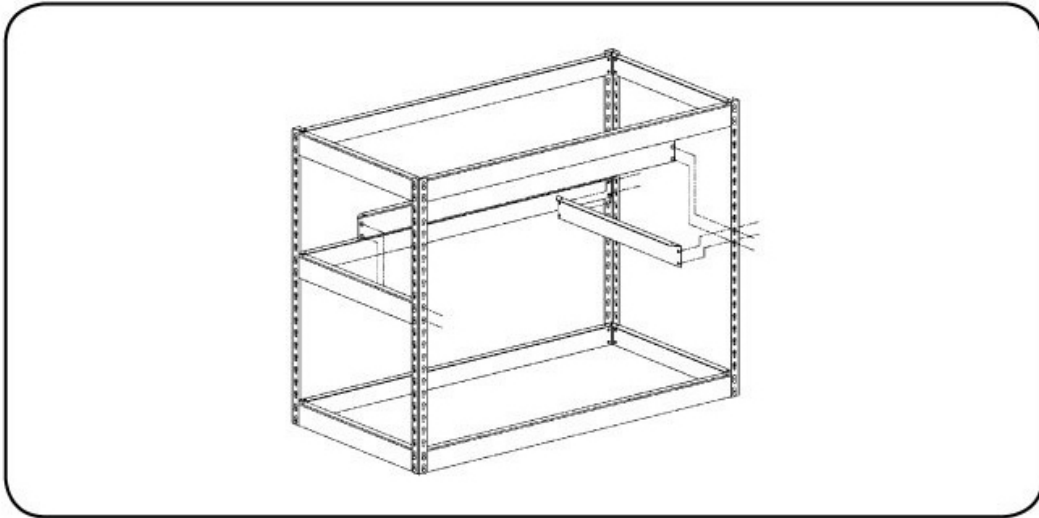
Step 3

Add the Short and Long Double Rivet Beams to the top two key holes of each Corner Post (refer to detail). Be sure all flanges are facing up. Hit the beam near the joints with a rubber mallet, to lock pieces together.



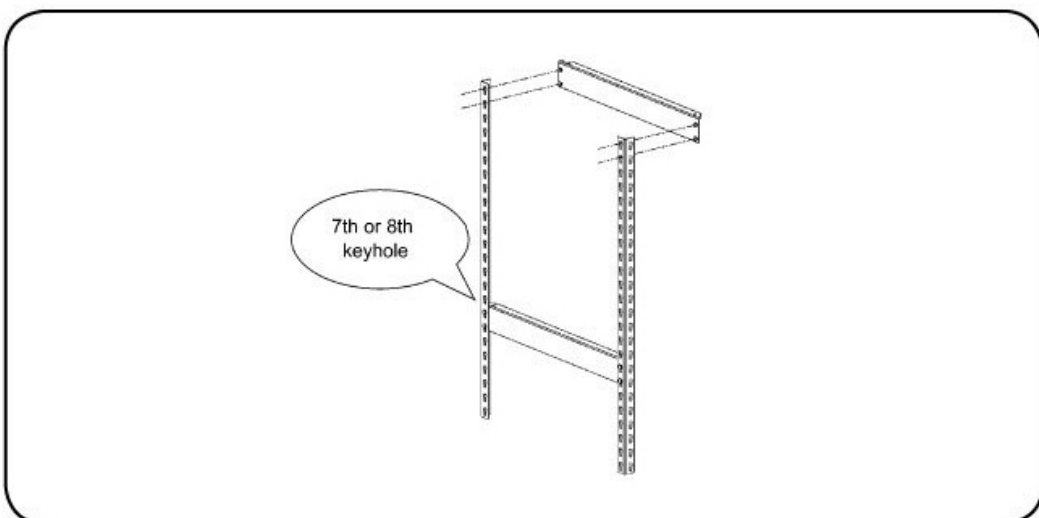
Step 4

Add two Short Double Rivet Beams (Item 3) and two Long Double Rivet Beams (Item 2) with flanges facing up, to your desired height, and hit the beams near the joints with a rubber mallet, to lock pieces together. This section of the bench is now complete.



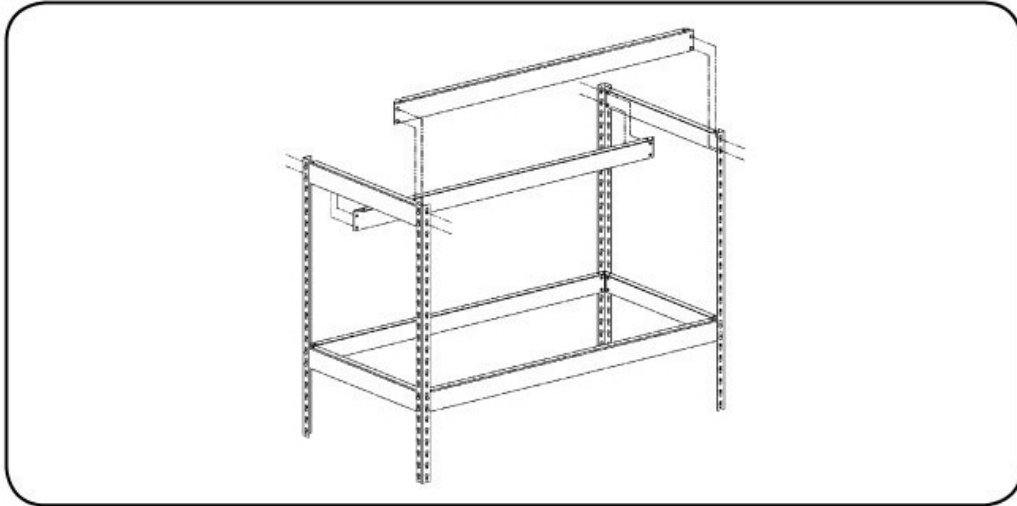
Step 5

For the next section, start by assembling two Corner Posts and two Short Double Rivet Beams. The first Short Double Rivet Beam must be assembled to the top two keyholes of the Corner Post. The second Short Double Rivet Beam must be assembled at the 7th-8th keyhole from the bottom of the Corner Post. Repeat for the opposite end. Hit the beam near the joints with a rubber mallet, to lock pieces together.



Step 6

Assemble two Long Double Rivet Beams to the top two keyholes of the Corner Post on each side. Assemble the two Long Double Rivet Beams at the 7th-8th keyhole. Hit the beam near the joints with a rubber mallet to lock pieces together.



Step 7

Place the shelves into position. Slide shelves in at an angle, then position so they are resting on the flanges.

