

**IMPORTANT**-Read these instructions thoroughly before operating the lawn mower.

## **GENERAL OPERATION & SAFETY RULES**

- Always use this machine responsibly.
- Keep hands & feet **AWAY** from any moving parts of the mower.
- Wear protective footwear.
- Thoroughly inspect the area to be mown and ensure any objects that could damage the machine or impair its use are removed.
- Keep clear of children, other people and pets whilst mowing.
- Ensure the engine is **NOT** running when moving the machine across gravel drives, path ways or roads.
- Ensure the engine is **NOT** running when inspecting the mower, making adjustments or emptying the grass collector.

### **Running In:-**

All new machinery needs time to settle in. The key areas for observation are:-

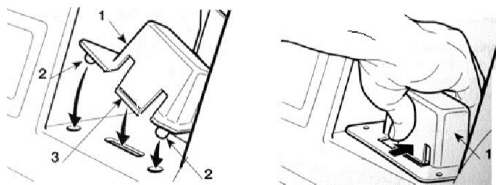
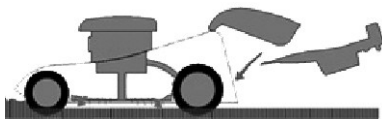
- Oil level
- Drive, Throttle/Choke and Safety Stop cables. They will stretch from new as they are under continuous tension when the mower is in use. Adjust as necessary to ensure the smooth running of your mower.

## **ASSEMBLY & PRE-OPERATION**

Note:- Your lawn mower is shipped for safety **WITHOUT OIL OR PETROL** in the engine.

- Lift mower and accessories out of the packaging.
- Attach the rear wheels.
- Slowly raise the handle ensuring that you **DO NOT** pinch or damage the control cables.
- Tighten the handle bolts attached to the main deck.
- Gently tighten the red quick release levers half way along the main handle and lock into position-**IMPORTANT, DO NOT** over tighten the levers or use too much force or they may break.
- Attach the grass collector bag to its support frame.

- The mulching blade is already inserted in the mower for shipping purposes but can easily be removed if an alternative cutting mode is required.



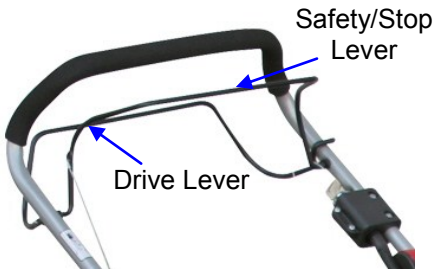
- The mulching blade can be removed by:-
  1. Lifting the rear discharge flap
  2. Holding the mulch blade firmly as shown and applying pressure at point (3) above to un-clip and remove.To re-insert locate pins (2) above, and clip (3) into slot
- Open oil filler and add 0.6L of type SAE30 oil to the engine.
- Add petrol via the fuel filler **WARNING** Petrol is highly flammable, only refuel outdoors and do not smoke.
- Check that the battery is connected to the mower and that it is fully charged.

**CAUTION:- DO NOT** overfill the engine with oil as this could cause it to smoke and damage your engine. Wipe off any spilled oil or fuel.

- **IMPORTANT**-ensure the engine is **NOT** running whilst carrying out adjustments to the mower at any time.

## MOWER OPERATION

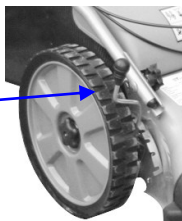
1. Select the cutting mode required and set.
  - A) **Cut and Rear Discharge** - ensure mulch blade is removed, side discharge is closed and collector bag is removed.
  - B) **Cut & Collect** - attach collector bag by lifting rear flap and hooking bag on, ensure mulch blade is removed and side discharge is closed.
  - C) **Side Discharge** - slacken nut on top of side chute, extend side chute fully and re tighten nut. Ensure mulch blade and collector bag are removed.
  - D) **Mulch** - insert mulching blade as shown on page 3. ensure side discharge chute is in the closed position, collector bag is not required.



2. Operating Levers:-
  - A) **Safety/Stop** - the engine will not start or run unless the lever is fully pulled forward to the main mower handle and held in that position. As soon as this lever is released the engine will stop.
  - B) **Drive Lever** - this lever when pushed and held forward to the main mower handle will engage the self propelled drive mechanism, as soon as it is released the mower will stop moving forward.

3. Height Adjustment:-

Set the desired cutting height by adjusting the side lever



## STARTING THE MOWER

Check List-

1. Set desired cutting mode
2. Set cutting height
3. Check oil level
4. Check fuel level
5. Battery charged & connected

## STARTING THE ENGINE

**To start the engine using either of the methods below:-**

1. the throttle / choke level must be fully forward in the choke position
2. the Safety / Stop Lever must be fully depressed against the main handle

**Key Starting:-** turn the ignition key, in short bursts until the engine starts.

**Manual Pull Start:-** If the battery is flat the mower can still be started with the manual pull start. Do not allow starter cord to snap back.

Once running, slowly pull back the throttle / choke lever to the running position adjusting to the required speed.

## STOP ENGINE

- To stop the engine, release Safety / Stop Lever turn the ignition key to off position.



**NOTE:-** due to protective coatings on various parts of the engine during initial use a small amount of smoke may be present.

**To begin mowing** push the 'drive lever' forward to the main mower handle to engage the drive mechanism.

## STRIPE EFFECT LAWN

The rear of the mower is fitted with a flap which will create a stripe effect on the lawn.

## EASY CLEAN SYSTEM

It is important to clean your mower after each cut removing debris on the outside and underside of your mower.

The easy clean system will help to keep the underside of your mowing deck clean and free of grass and dirt.



The mower is fitted with a male standard hose quick fit connector, that is easily attached to the majority of hose pipes.

1. Fit hose pipe to fitting.
2. Start mower
3. Turn hose pipe on.

As the water hits the spinning blade it automatically cleans the blade, additionally the water is thrown from the blade around the underside of the deck cleaning it.

The paint may peel in certain areas due to the abrasive action and moisture from the grass. Use a rust proofing paint to protect these areas from corrosion, this will extend the life of your mower.

## MAINTENANCE

**Changing the oil:-** the oil drain plug is located at the base of the engine. Remove the drain plug and carefully empty the oil into a container. Replace the drain plug and refill with 0.6L SAE30 oil. To check the oil level unscrew the filler cap which has an integral dipstick, With the cap sat on the rim of the oil filler (not with the cap screwed in) remove it , the oil should be between the min-max marks on the dipstick.

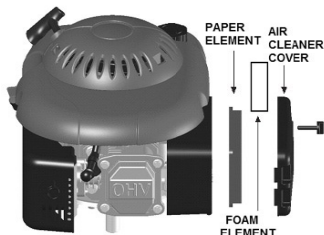


## MAINTENANCE cont...

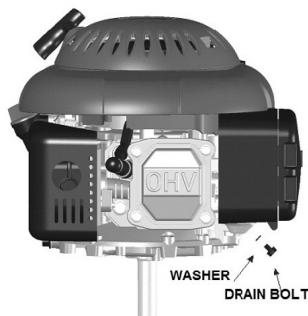
**Spark Plug:-** Once the engine is cool remove the spark plug and clean with a wire brush. Check the gap with feeler gauges and set the gap to .75mm (0.030") and replace-**DO NOT** over tighten.



**Air Filter:-** unclip the air filter cover remove the sponge element and replace.



**Draining the Fuel Tank & Carburettor:-** offset near the base of the carburettor is a drain bolt. Using a suitable container remove the drain bolt and funnel the fuel into the container. This will drain the fuel from the carburettor and the fuel tank.



## MAINTAINING THE BATTERY

It is recommended that if the mower is not to be used for long periods of time the battery should be disconnected and charged to maintain battery level ready for use.

<b>SERVICE PERIOD</b> Perform at each time period or hours of operation, whichever comes first.		Before Each Use	First Month Or 5 Hrs	Every 3 Months or 25 Hrs	Every 6 Months or 50 Hrs	Every Year or 100 Hrs	Every 2 Year or 250 Hrs
Engine Oil	Check	•					
	Replace		•		•		
Air Cleaner	Check	•					
	Replace			•			
Spark Plug	Check					•	
	Replace						•
Fuel Filter	Clean					•	
Fuel Pipe	Check	Every 2 Years (replace if necessary)					

### SERVICE & SPARES

At **Rhyas** we offer a complete spares and service back-up including specific service kits for all our mowers.

Please call 01568 620444 for more details.  
Or visit [www.ishop247.co.uk](http://www.ishop247.co.uk)

### CHANGING BLADES

Should you need to change the blade on your mower - undo the retaining bolt on the base of the blade - **NOTE THE BOLT HAS A LEFT HAND THREAD.** Position the new blade and tighten the bolt.

