

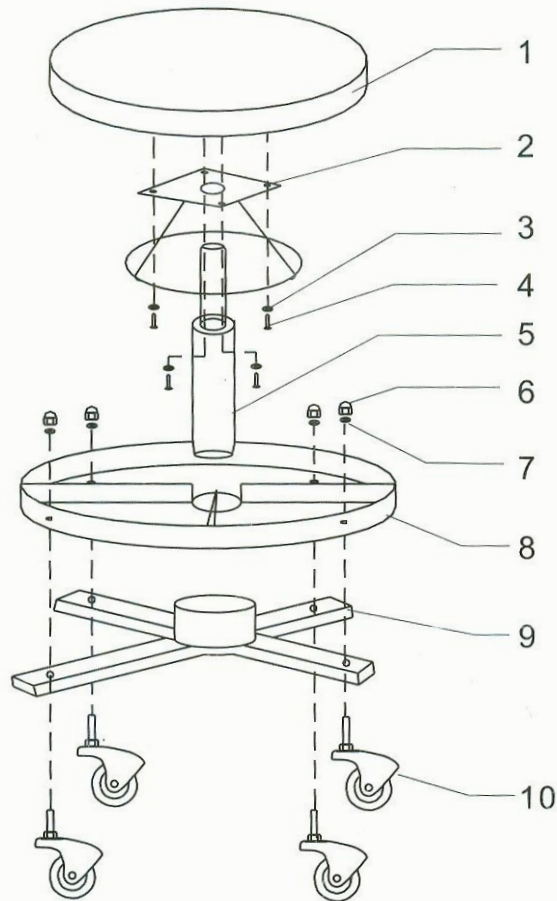
HEIGHT ADJUSTABLE

MECHANIC STOOL 53085



5 0 0 2 4 1 5 3 0 8 5 0
RHYAS AUTOMOTIVE

ASSEMBLY INSTRUCTION



NO.	Description	Qty(pcs)	NO.	Description	Qty(pcs)
1	Seat	1	6	Nut M8	4
2	Up and down control board	1	7	Washer $\phi 8$	4
3	Washer $\phi 8$	4	8	Tool tray	1
4	Screw $\phi 8 \times 12$	1	9	X - brace	1
5	Pneumatic cylinder	1	10	Rear caster wheel	4