

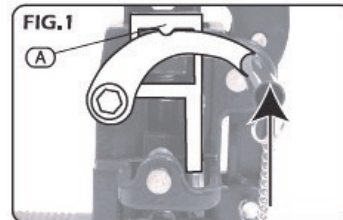
# 48" FARM JACK

INSTRUCTIONS

CE

## OPERATION

- **WARNING:** Do not overload jack - capacity reduces with lifting height - see lifting specifications for full details.
- **TO RAISE A LOAD (Fig.1):**
- Following all safety precautions, place the foot of the jack beneath the load.
- Using handle, lift the reversing latch to its "UP" position and ensure it is locked in place, with the indentation in the latch (A), firmly engaged.



- Hold the beam steady and pull the operating lever downward. Jack up the lifting foot until it comes into contact with the load at the desired point of lift. Pause at this stage and check to ensure there are no obstacles to a clean lift.
- Pull down firmly and evenly on the operating lever and observe the load rising. As the operating lever is pulled down, you will hear the climbing pin click into place as it locates in a hole in the steel bar. At this point, relax the operating lever allowing the pin to take the load. Raise the operating lever to the top of its stroke to take a fresh purchase, and pump the operating lever once again.

### **Important:**

Do not use extensions on the operating lever.  
Always keep a firm hold on the operating lever.

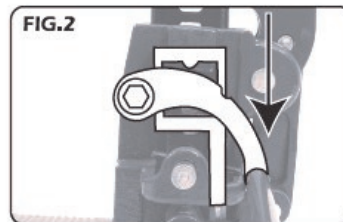
- **SUPPORT PIN**  
When used to support, the additional support pin must be inserted through the beam directly below the lifting mechanism. DO NOT EXCEED the capacity of the jack.

### **TO LOWER A LOAD (Fig.2):**

#### **Important:**

The jack must be loaded with a minimum 50kg (110lbs) to lower step by step, otherwise the lifting foot will drop suddenly to the base.

- Ensuring the operating lever is in the FULLY UPRIGHT position.  
Using handle trip the reversing latch to the "Down" position, so the notch has been disengaged.  
Pump operating lever as to raise the load, the load will lower step by step.



## MAINTENANCE

- The jack does not require special maintenance, but it must be kept well lubricated.
- Inspect the jack before use for damage and cracks, and do not use it if it is not in proper condition.
- Front and back of the rail must be kept rust free, do not use if ratchet mechanism is unable to slide freely on beams.

## SAFETY INSTRUCTIONS

### General safety

- The jack is only designed for lifting.
- Visually and operationally inspect jack before each use; do not use the jack if damaged.
- Warning: if any part of jack fails to work properly, discontinue use and quarantine until fully repaired and tested.
- Warning: Never attempt to repair jack while jack is under load.
- Warning: Never push the load off the jack, lower carefully.
- Warning: Ensure jack is placed on a suitable level base (at least a 400 x 300mm dimension with enough strength) so it will not slip or shift during operations and load is properly supported at lift point to prevent shifting or toppling.
- All persons shall be clear of load being raised or lowered. Never work under a raised load.
- Warning: never exceed the rated load.
- Jack must have a 50kg load or more to activate the ratchet lowering mechanism, if lowering without load, ensure mechanism is supported otherwise lifting foot will drop suddenly.
- Use hand power only, do not use additional devices on handle to provide extra manpower.

- Regularly lubricate all moving parts.
- Do not use the jack for purpose other than for which it is designed.
- Front and back of the rail must be kept rust free, do not use it if jack is unable to move freely up and down the rail,
- The operator must monitor the lifting device and the load during all movements.
- Do not carry the jack by the handle.

### When used to jack a vehicle

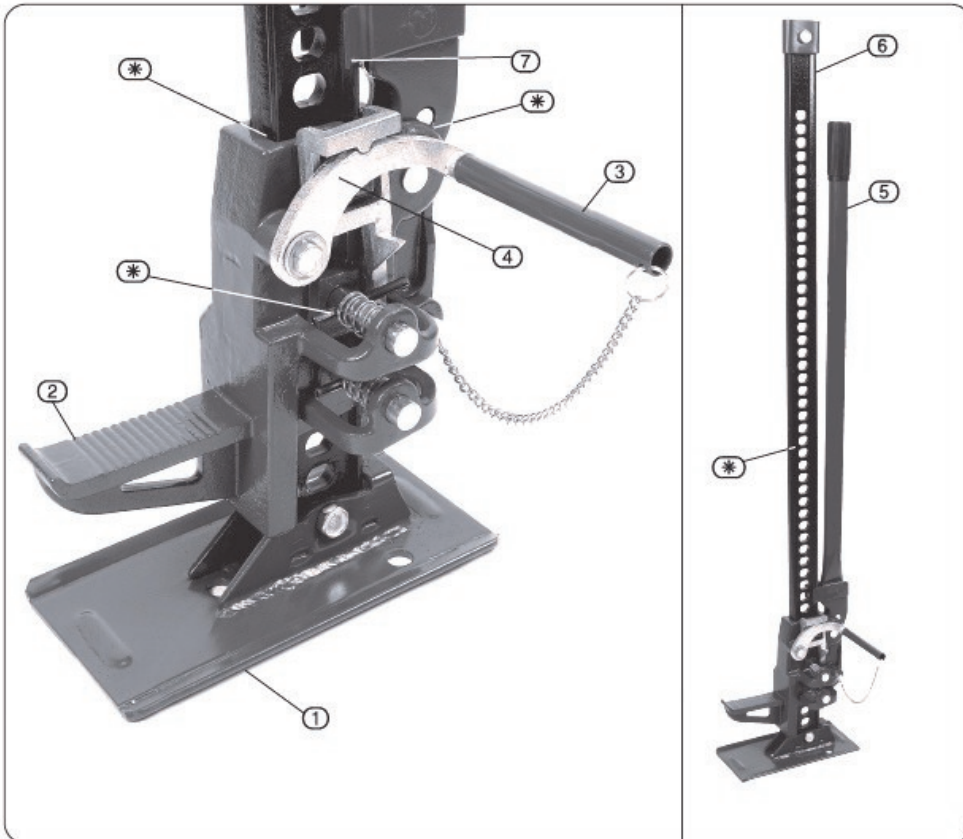
- Ensure jack is connected and supported on a suitable base.
- Ensure the vehicle handbrake is engaged, engine is switched off and transmission is in gear (or PARK if automatic).
- Ensure min. distance of 0.5m between vehicle and static objects such as doors, walls, etc.
- Check the lifting point is stable and correctly positioned on the lifting foot.
- Do not allow the vehicle to move while supported by the jack, or use the jack to move the vehicle.
- Never work under any load supported by the jack alone.

## SPECIFICATION

## 48" Farm Jack

Rated lifting load.....	400kg
Lifting range .....	130-1060mm
Maximum support load (using additional support pin)	
130-300mm .....	2 tonne
300-500mm .....	1,600kg
More than 500mm .....	500kg

## GETTING TO KNOW YOUR FARM JACK



- ① Foot.
- ② Lifting foot.
- ③ Handle.
- ④ Reversing latch.
- ⑤ Operating lever.

- ⑥ Beam.
- ⑦ Clip.
- Additional support pin (not shown).
- \* Lubrication points.