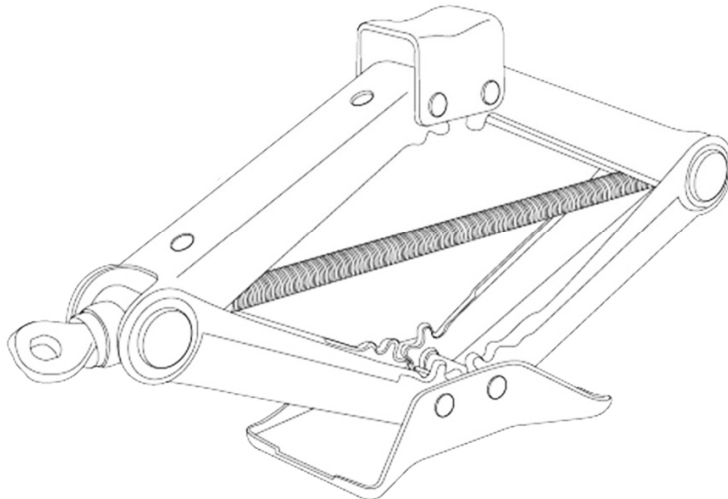


**RHYAS**

THE PRODUCTS OF CHOICE

# **2 TONNE SCISSOR JACK**



## **USER MANUAL**

**LIFTING RANGE: 120mm - 395mm**

**FOR YOUR SAFETY PLEASE READ THESE  
INSTRUCTIONS BEFORE USING THE JACK**

**ORIGINAL INSTRUCTIONS**

## SAFETY INSTRUCTIONS

### WARNING !

Read, study and understand all warnings and operating instructions prior to use. This jack is intended for emergency tire changing ONLY. DO NOT overload this jack beyond the rated capacity. Overloading can cause the jack to collapse and drop the load. NEVER get under the vehicle when it is supported only by this scissor jack. DO NOT attempt to move the vehicle while the jack is under it. ONLY use this jack on a hard level surface capable of sustaining the load being lifted. ONLY lift the vehicle until one wheel is clear of the ground. ONLY lift the vehicle at locations designated by the vehicle's owner manual. Failure to heed these warnings may result in personal injury and/or property damage.

## MAINTENANCE

1. Keep your jack clean and well wiped down.
2. Keep the threads of the screw rod well oiled and free of rust to avoid the jack binding during operation.
3. When not in use, store the jack in the fully collapsed position.

## OPERATION

### Operation

*Before changing the tire:*

1. Park on a level surface.
2. Turn on the vehicle's hazard warning flashers.
3. Make sure the engine is Off.
4. Shift automatic transmission to "Park" or manual transmission to "Reverse".
5. Set parking brake.
6. Block the remaining tires with appropriate chocks.

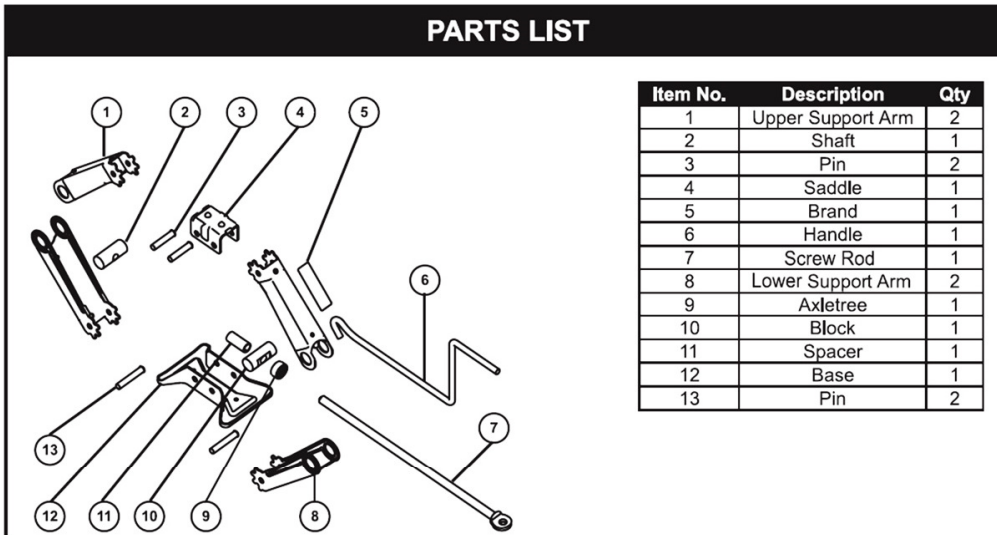
### To raise the vehicle:

1. Insert the jack handle into the hole on the end of the screw rod in the jack base.
2. Position the jack under the correct location, as directed by the vehicle's owner manual.
3. Turn the jack handle clockwise to raise the jack.
4. Raise the vehicle until the tire is off the ground.

### To lower the vehicle:

1. Turn the jack handle counter-clockwise to lower.
2. Lower the jack completely.
3. Tighten wheel nuts.
4. Remove wheel chocks from the blocked tires.
5. Securely store the tire and all lifting equipment.

## PARTS LIST



## EC DECLARATION OF CONFORMITY

The undersigned being the Manufacturers UK importer and or representative declares that: - **Manufactures Model:** T10202 with **Applied SKU:** 53118 RHYAS 2T Scissor Jack, conforms to the requirements of the following Directives of the European Parliament and of the Council on the approximation of the laws of the Member States: -

**2006/42/EC** - Machinery Directive EN1494/A1:2008

The signatory, place of declaration and keeper of technical documentation is:-

Mr Andrew M Riga – Director  
Date: January 2015



2T SCISSOR JACK 53118



RHYAS PRODUCTS  
LEOMINSTER-ENGLAND-HR6 0QF